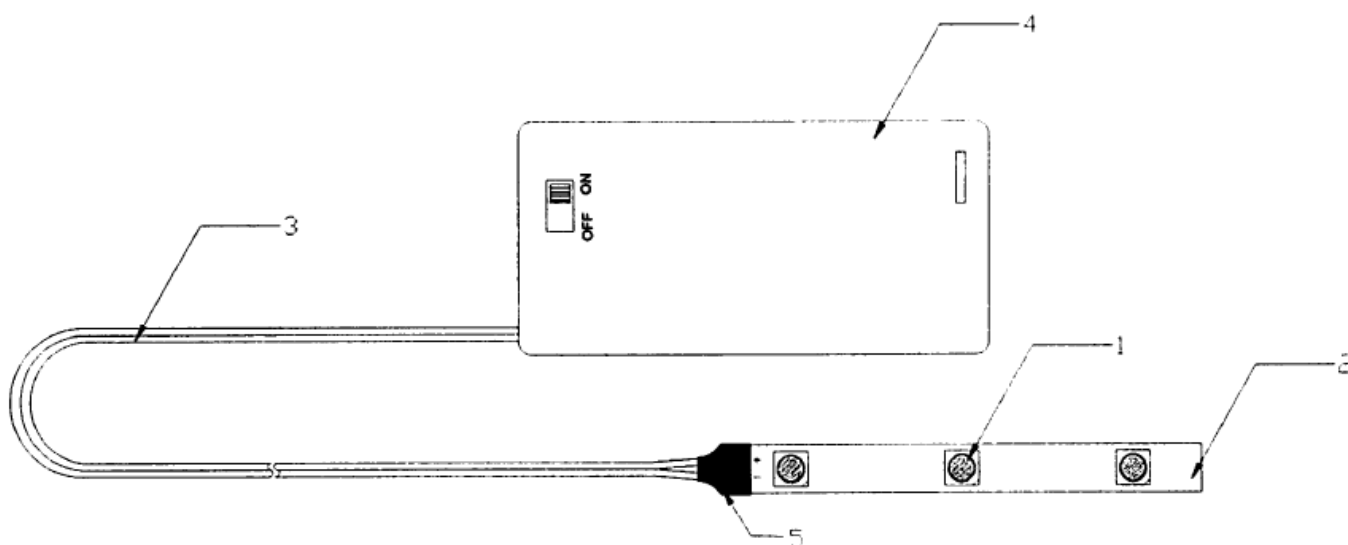


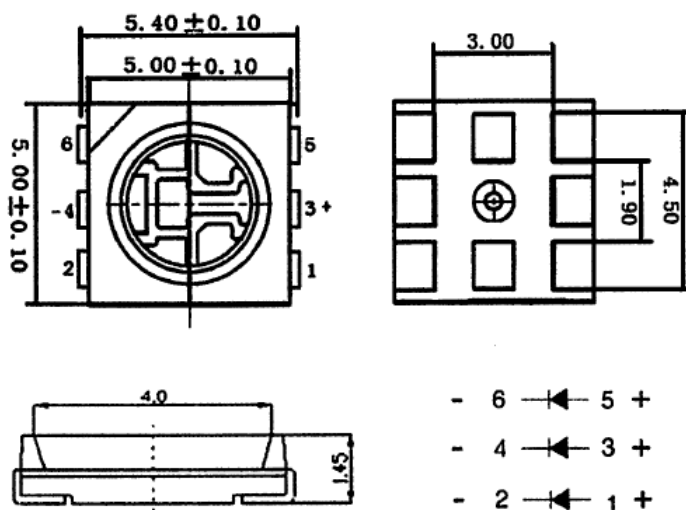
Datenblatt LED Beleuchtung mit Batteriebox

Art. Nr. 69911



Nr.	Bezeichnung	Maße	Anzahl
1	LED	505-SCUQ1/Y	3
2	PCB	70*7*1.6MM	1
3	Kabel	Schwarz 1.05*2P*1000MM	1
4	Batteriebox	Schwarz 69*34*18MM	1
5	Schrumpfschlauch	5.5*10mm	1

Maße:



Bezeichnung	Linse	Farbe
LED 505-SCUQ1/Y	gelb	Warm-weiß

Bemerkungen:

- alle Maße in Millimetern
- Toleranz $\pm 0.1\text{mm}$ (sofern nicht anders angegeben)

Absolute Maximum Ratings at Ta=25°C

Symbol	Parameter	Maximum Rating	Unit
Pd	Power Dissipation	0.2	W
IFP	Peak Forward Current (1/10Duty Cycle, 0.1ms Pulse Width)	100	mA
IF	DC Forward Current	60	mA
VR	Reverse Voltage	5	V
TOPR	Operating Temperature	-20°C to +40°C	°C
TSTG	Storage Temperature	0°C to +40°C	°C
TSOL	Soldering Temperature	260°C for 5 Seconds	°C

Electrical / Optical Characteristics at TA=25°C

Parameter	Symbol	Min.	Typ.	Max.	Unit	Test Condition
Luminous Intensity	I_v	20		25	Lm	IF=60mA Note 1
Viewing Angle	$2\theta_{1/2}$	--	120	--	deg	Note2
Chromaticity Coordinates	X	0.41		0.45		IF=60mA
	y	0.39		0.42		
Forward Voltage	V_F	2.8		3.6	V	IF=60mA
Reverse Current	I_R			10	uA	VR=5V

Note:1. Luminous intensity is measured with a light sensor and filter combination that approximates the CIE (Commission International De L'Eclairage) eye-response curve.

2. $\theta_{1/2}$ is the off-axis angle at which the luminous intensity is half the axial luminous intensity.

3. The dominant wavelength, λ_d is derived from the CIE chromaticity diagram and represents the single Wavelength which defines the color of the device.